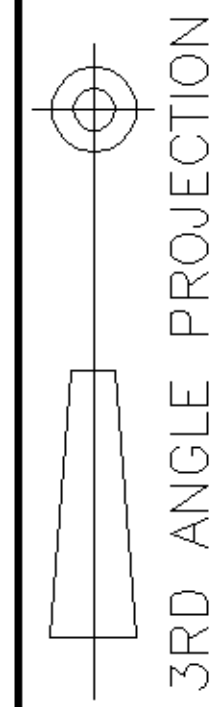


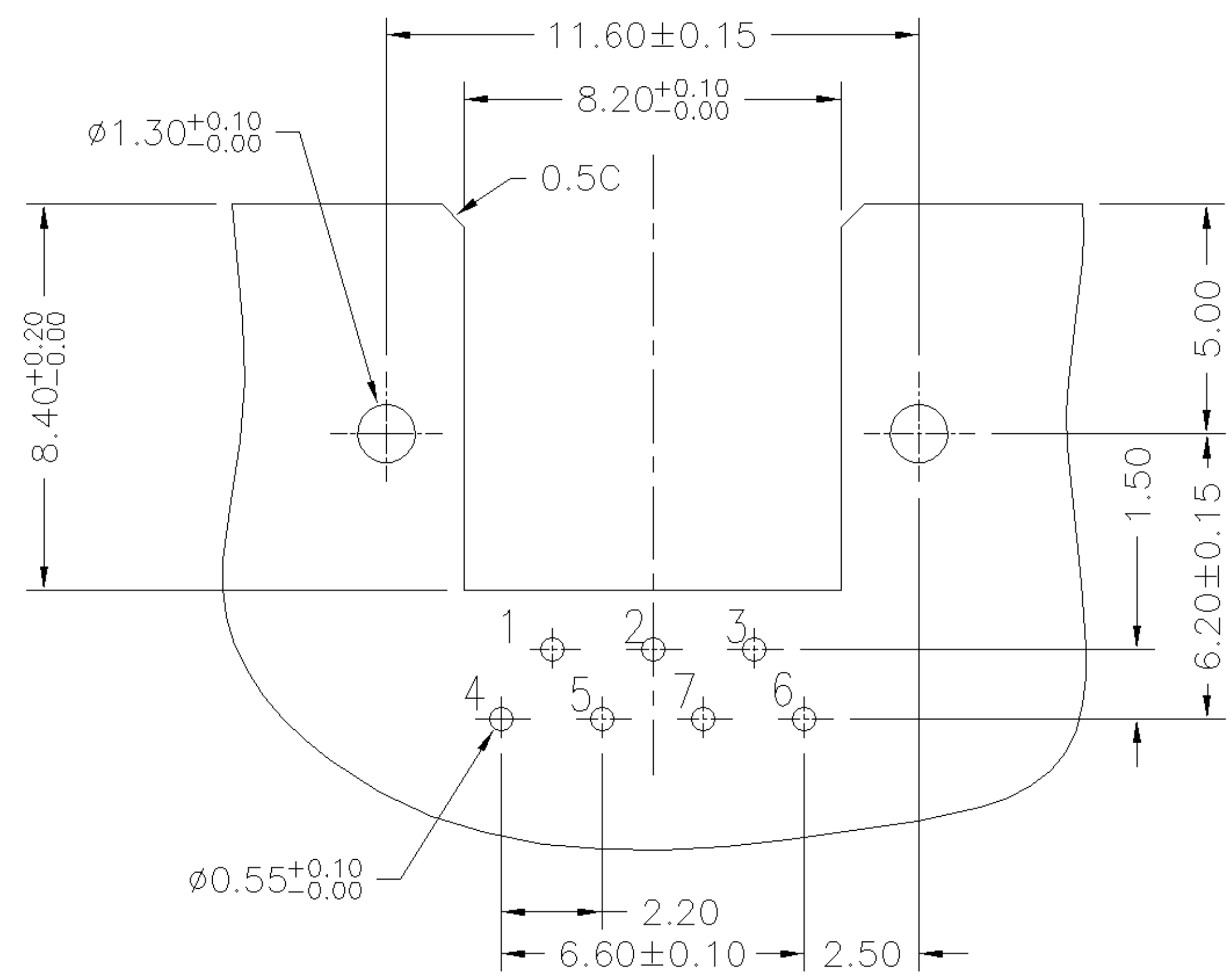
NUMBER
C-1734094



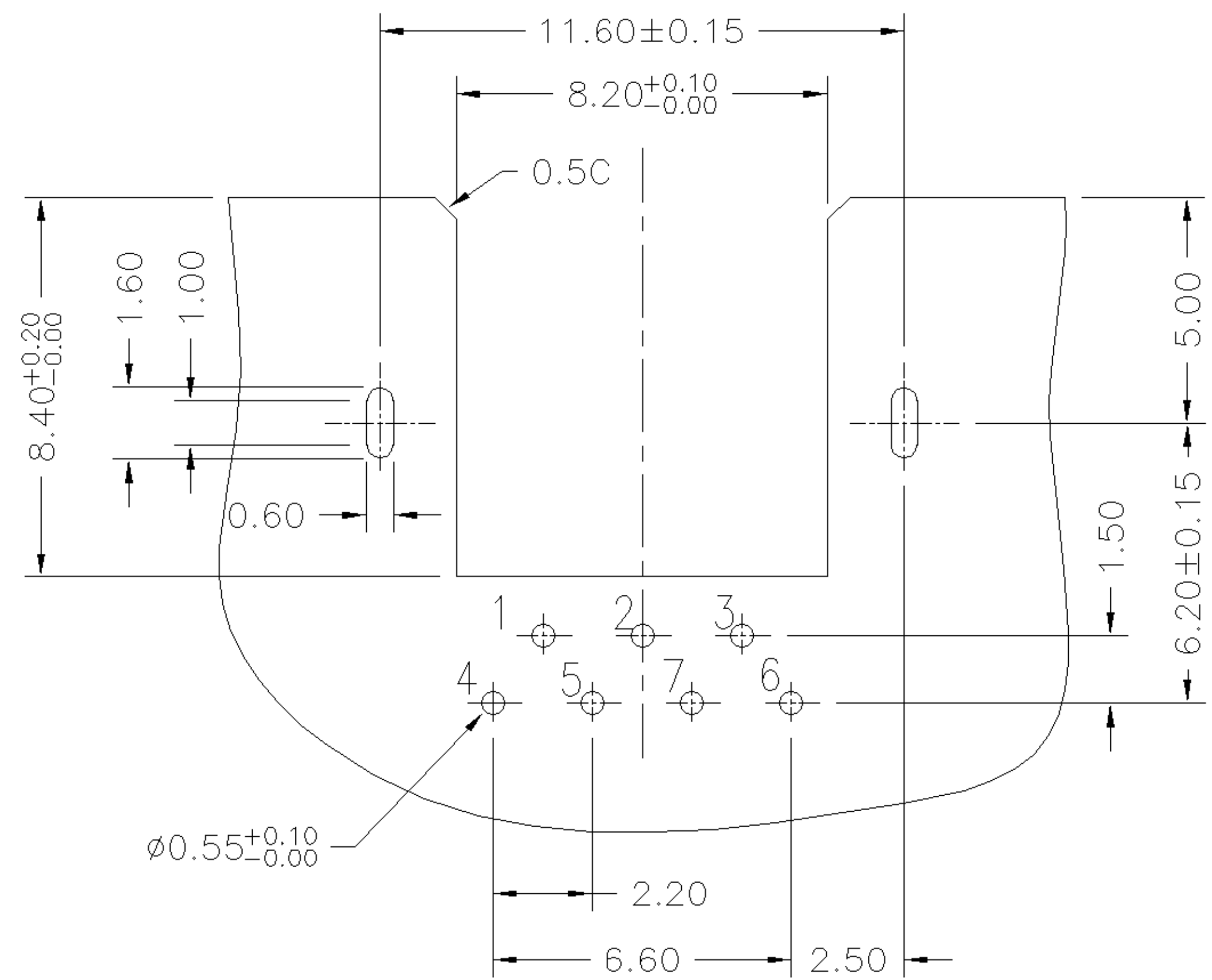
METRIC

THIS INFORMATION IS CONFIDENTIAL AND IS DISCLOSED TO YOU ON CONDITION THAT NO FURTHER DISCLOSURE IS MADE BY YOU TO OTHER THAN AMP PERSONNEL WITHOUT WRITTEN AUTHORIZATION FROM AMP (TAIWAN) LTD. DIMENSIONS IN MILLIMETERS. DO NOT SCALE PRINT.

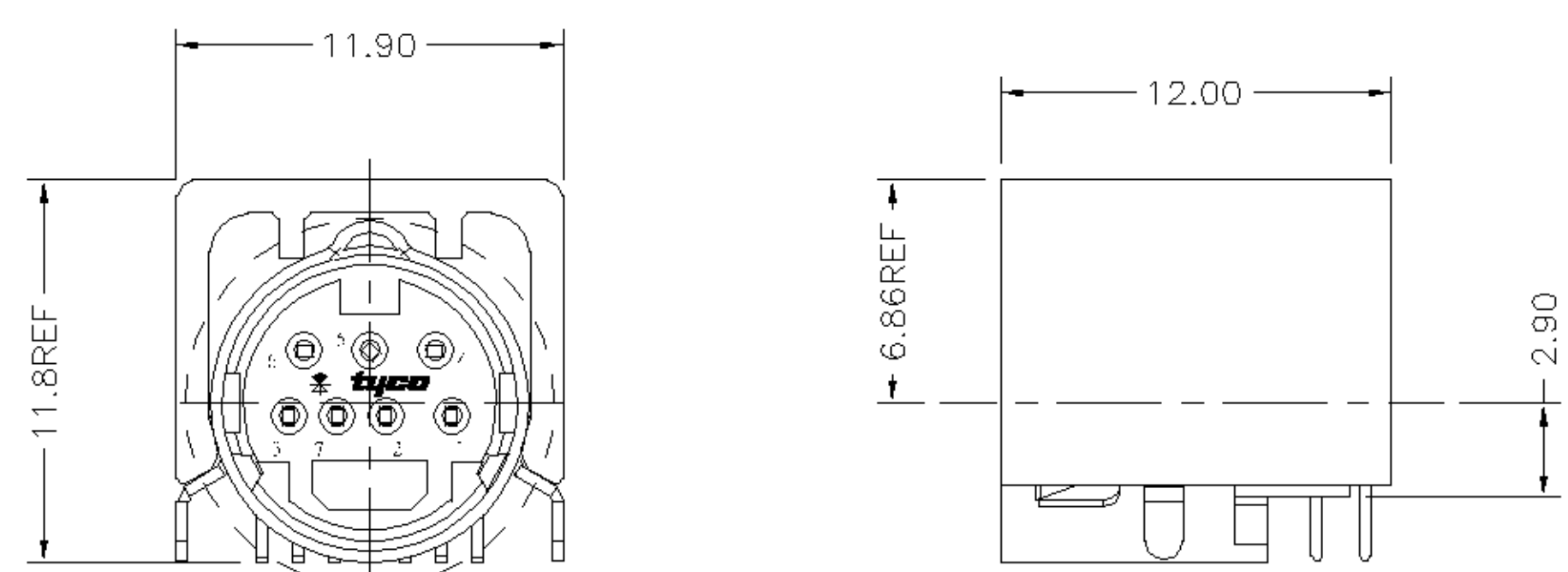
PRINT DIST
DW



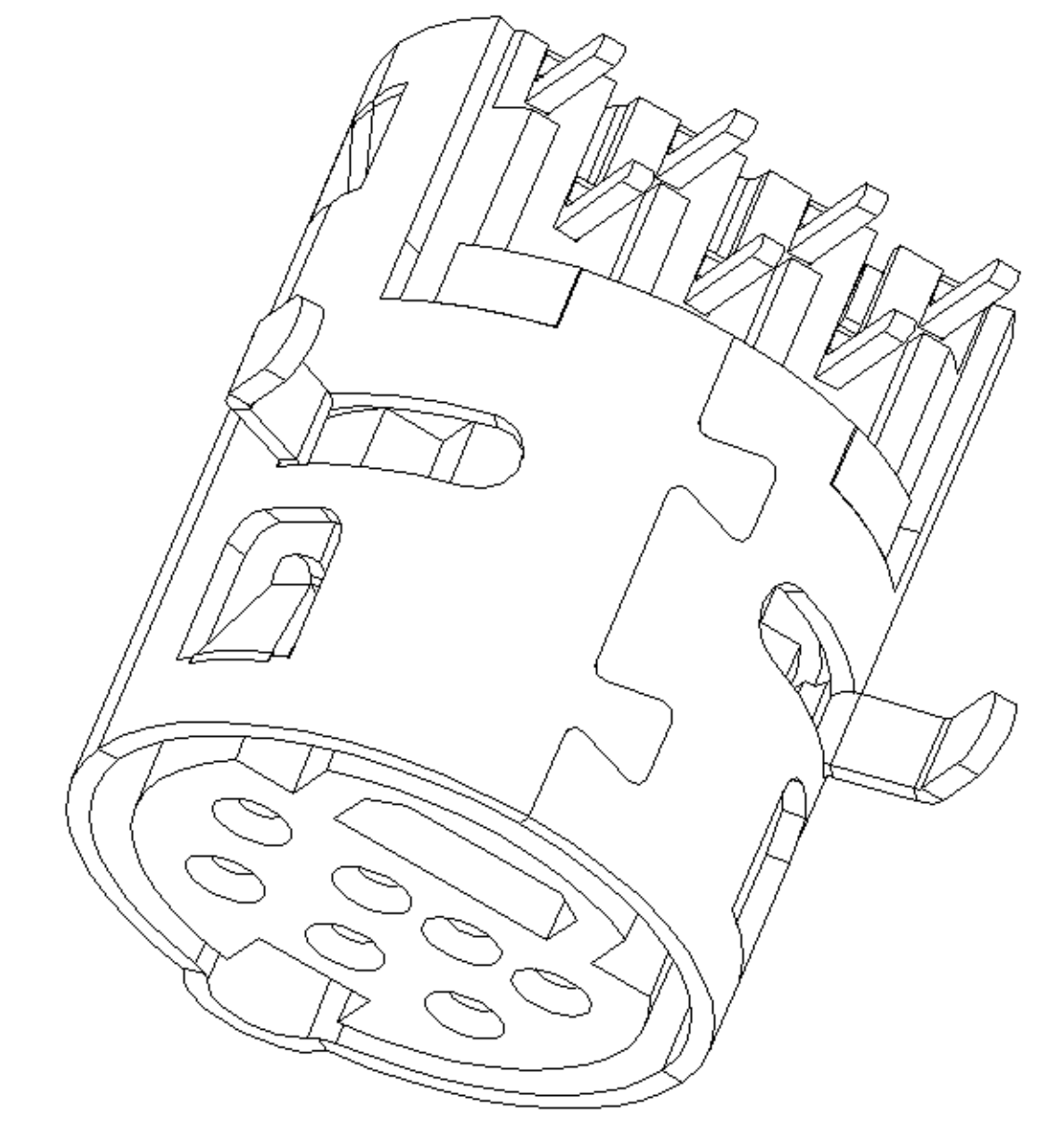
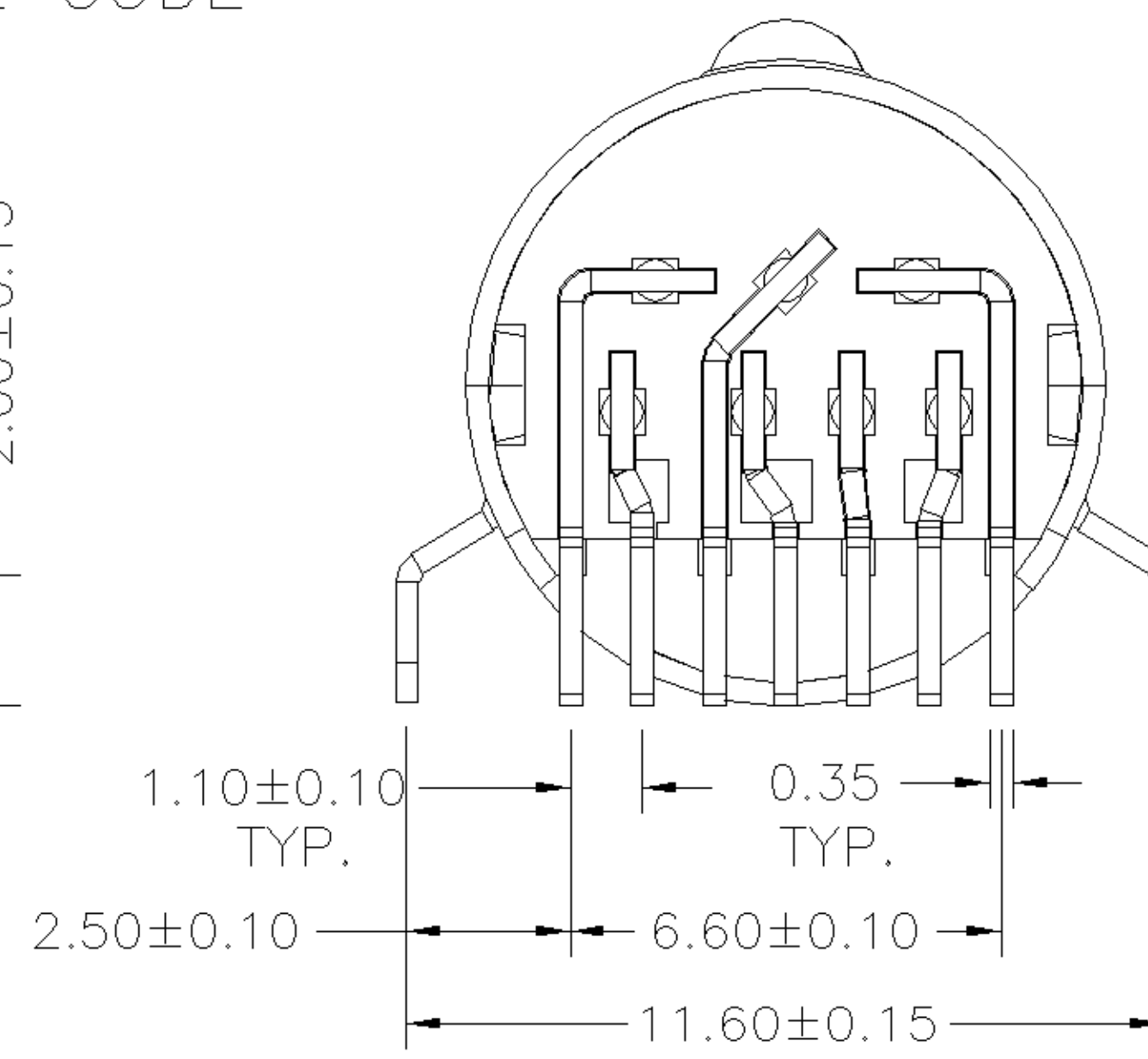
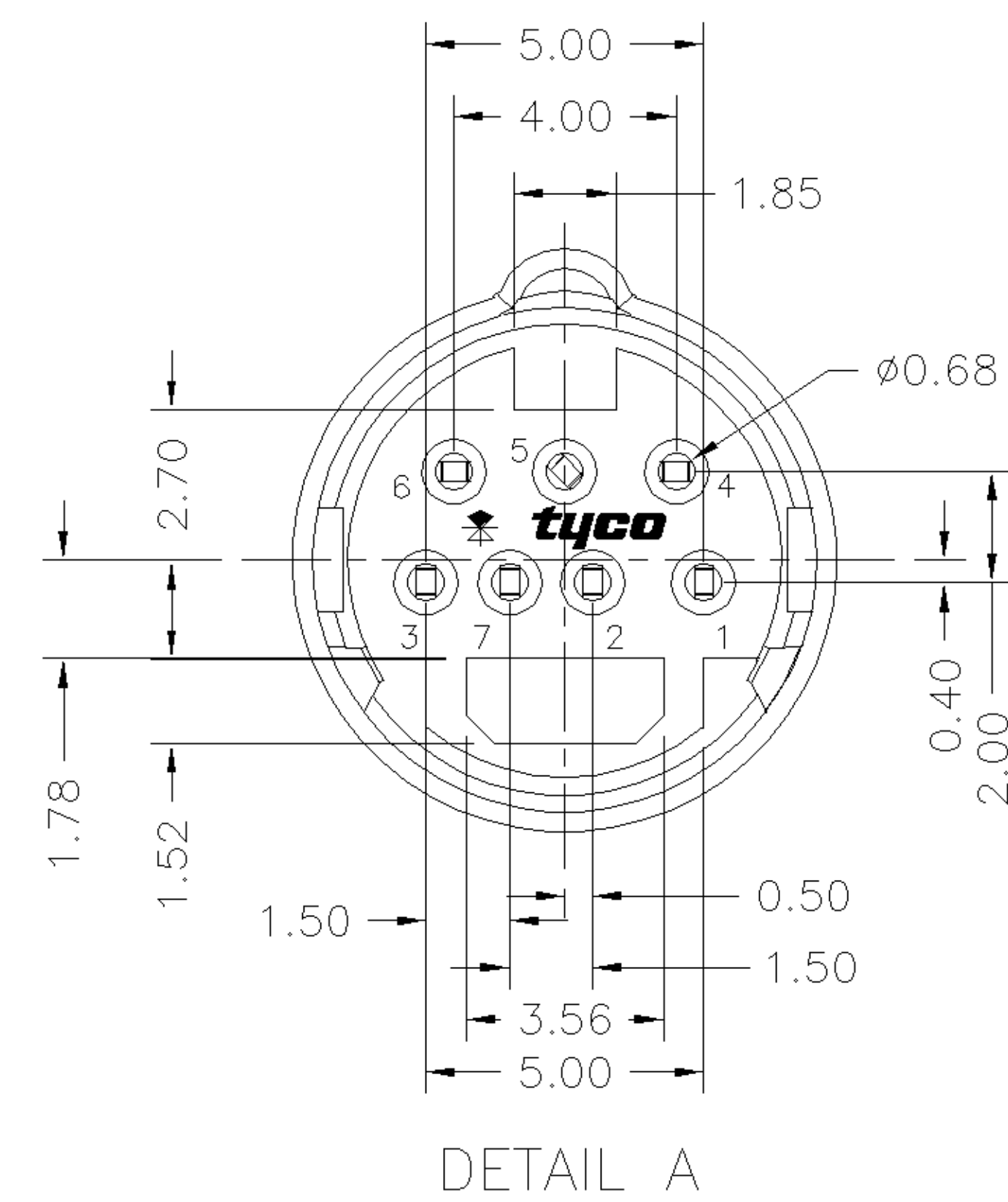
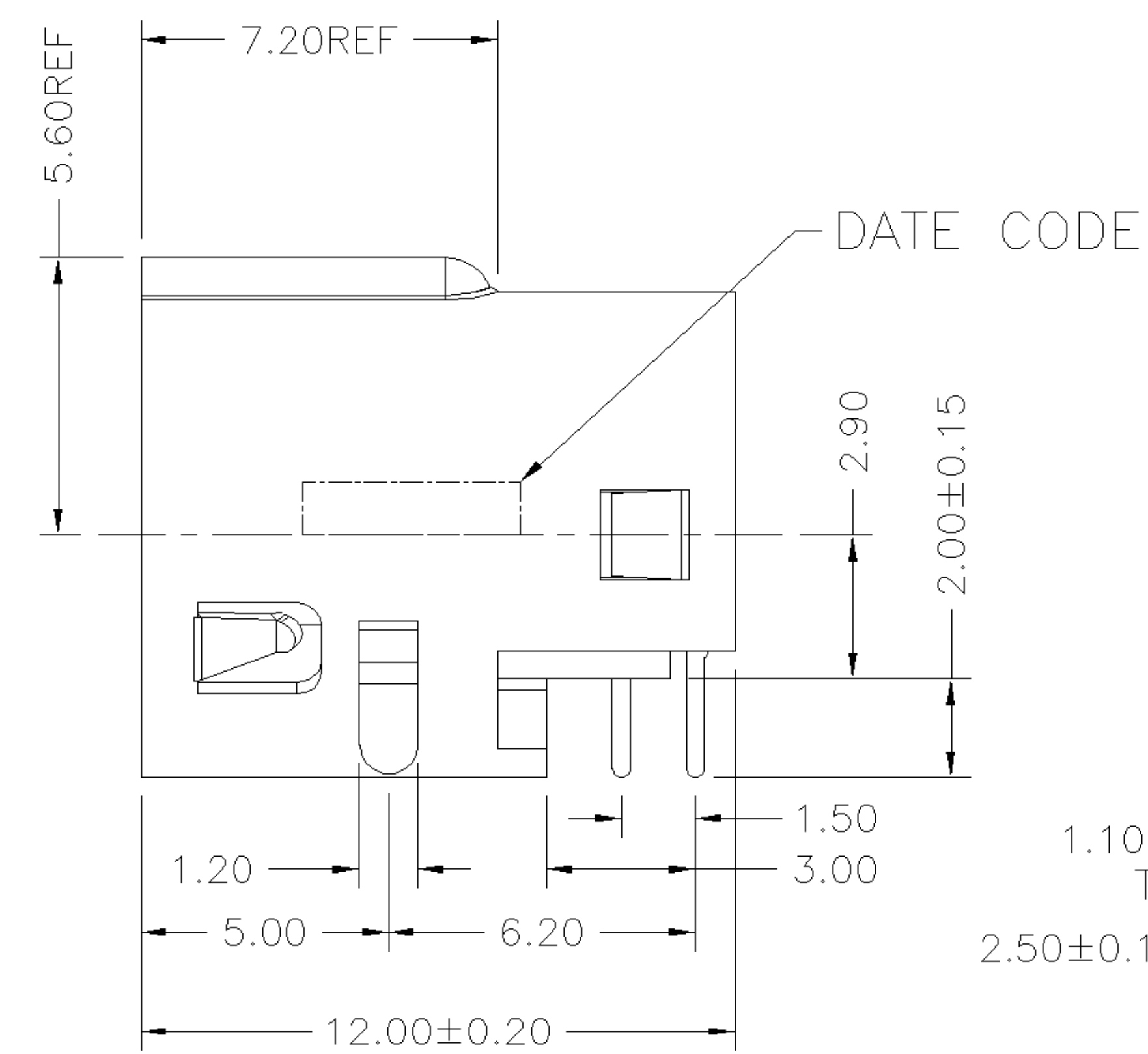
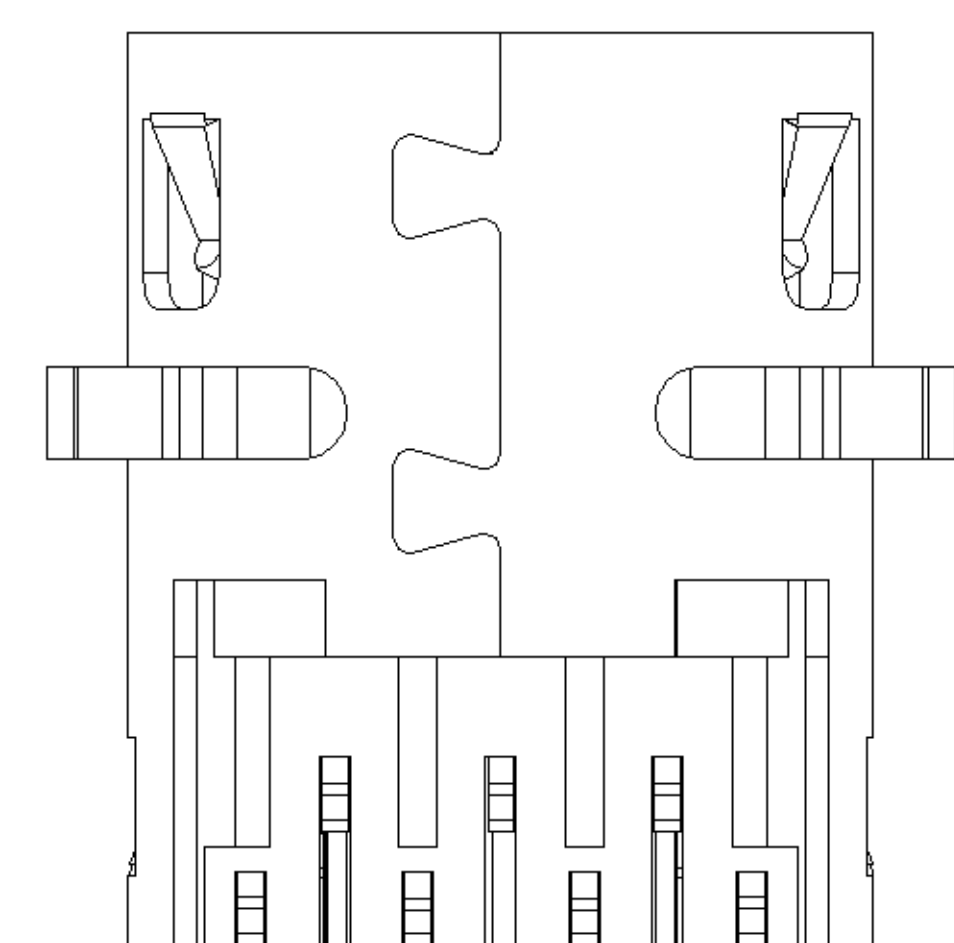
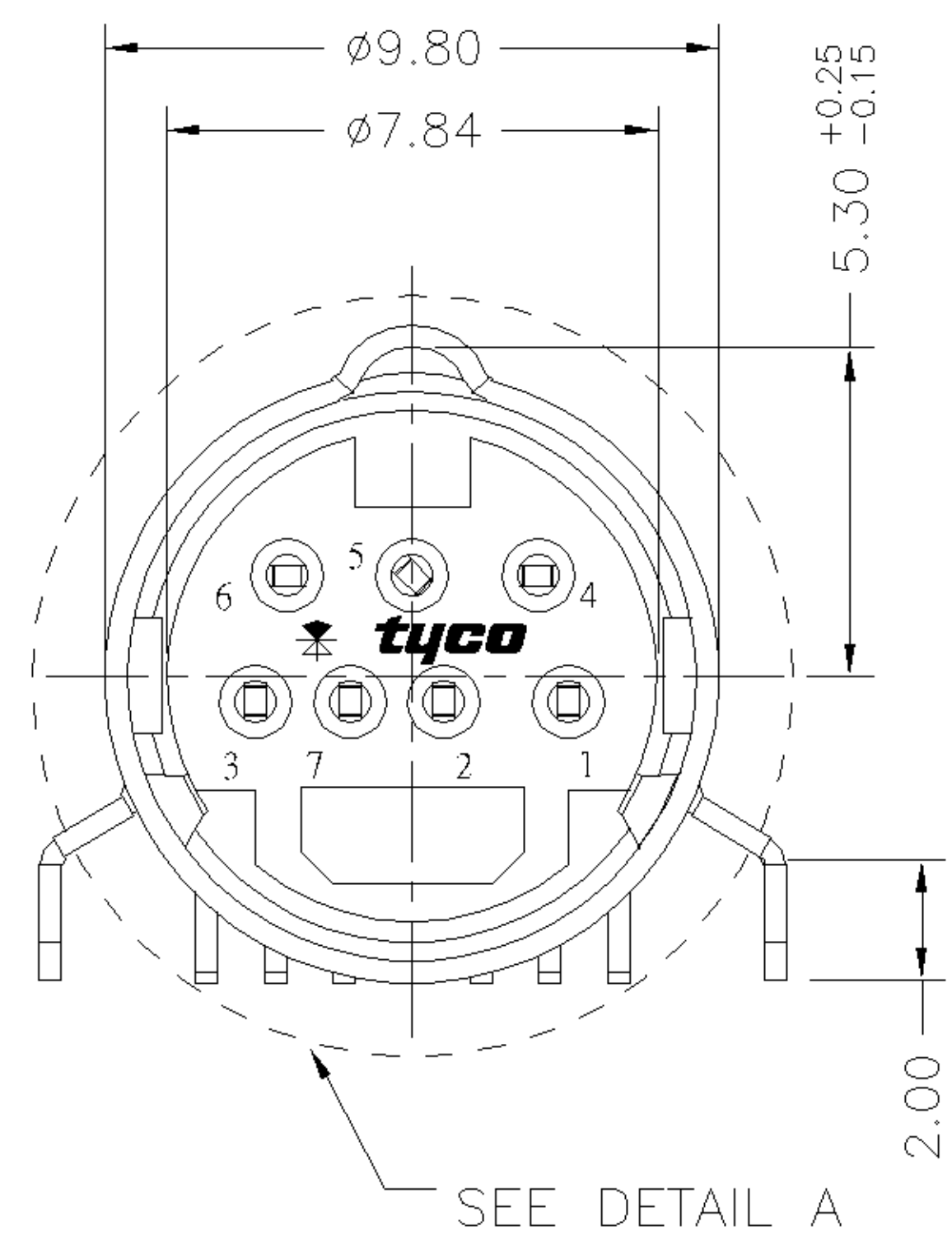
RECOMMENDED PCB LAYOUT (COMPONENT SIDE) TYPE I
TOLERANCE : ±0.05



RECOMMENDED PCB LAYOUT (COMPONENT SIDE) TYPE II
TOLERANCE : ±0.05



PRODUCT WITH CAP



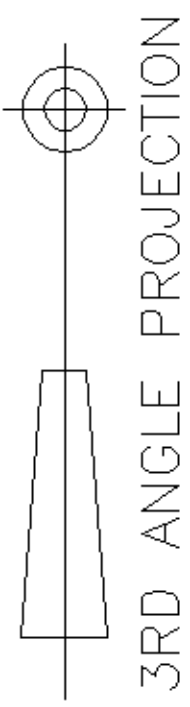
- NOTES:
ROHS 2002/95/ COMPLIANT
- 1.MATERIAL:
HOUSING : THERMOPLASTIC, HIGH TEMP., W/ 30% G/F, UL94V-0, COLOR:SEE TABLE
CAP: THERMOPLASTIC, HIGH TEMP., W/ 30% G/F, UL94V-0, COLOR:SEE TABLE
CONTACT : PHOSPHOR BRONZE
SHELL : BRASS
- 2.FINISH:
CONTACT:
GOLD FLASH PLATING ON ENTIRE CONTACT, 50μ" MIN. NICKEL UNDERPLATING OVERALL.
SHELL:
100μ" MIN. NICKEL PLATING ENTIRE(SOLDERABLE)
120μ" MIN. Cu UNDERPLATING OVERALL.
3. RECOMMENDED PCB THICKNESS : 1.0mm
4. REFLOW SOLDER CAPABLE TO 260°C PER TYCO SPEC. 109-201, CONDITION B

| | | | |
|--------------|--------------|--------------|-------------|
| BLACK | YELLOW(122C) | LCP, E130I | 1734094-3 |
| YELLOW(123C) | YELLOW(123C) | HTN, 52G30L | 1734094-2 |
| BLACK | BLACK | LCP, E130I | 1734094-1 |
| CAP COLOR | HSG COLOR | HSG MATERIAL | PART NUMBER |

| | | | |
|--|--|--|--|
| TOLERANCES UNLESS OTHERWISE SPECIFIED: 0 PLC ±0.50 1 PLC ±0.35 2 PLC ±0.25 3 PLC ±0.10 ANGLES ±3' | DWN S. HOU 20-APR-2005 | tyco TYCO HOLDINGS (BERMUDA) Electronics VII LTD. TAIWAN BRANCH | |
| MATERIAL SEE NOTE | CHK W.J. KE 20-APR-2005 | NAME MINI DIN 7P, R/A, DIP TYPE. | |
| FINISH SEE NOTE | APVD W.J. KE 20-APR-2005 | PRODUCT SPEC 108-57356 | LOC SIZE DRAWING NO REV DW A ₃ C-1734094 O |
| | QUALIFICATION TEST REPORT 501-57451 | WEIGHT 1.8 GRAM | SCALE SHEET -- 1 OF 2 |

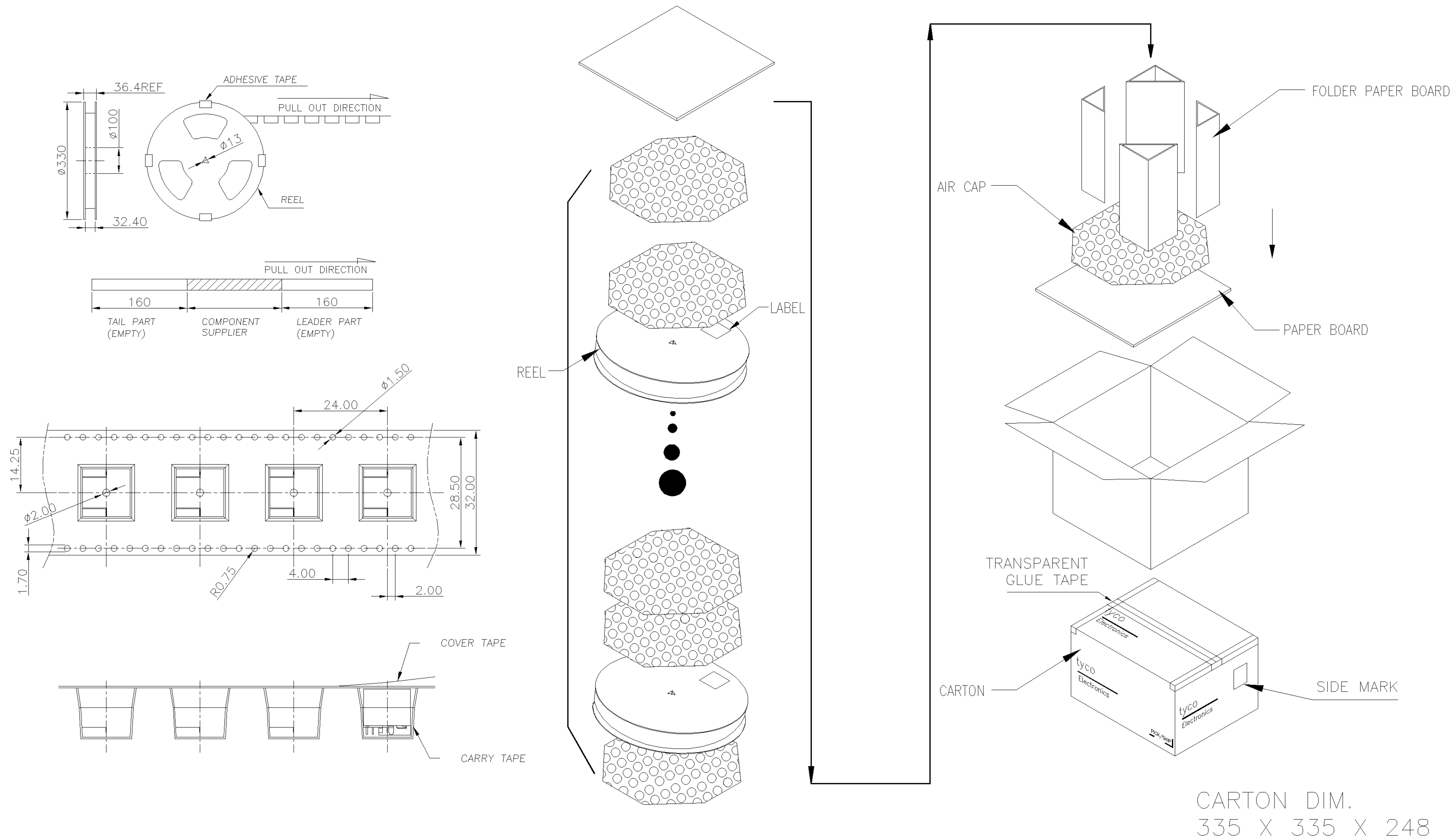
| | | | | |
|-----|-----------------|--------------|---------------------|--|
| | | | | |
| O | FIRST RELEASED | FZ00-0346-04 | SH WK 20APR 2005 | |
| LTR | REVISION RECORD | ECN | DWN CHK DATE | |

NUMBER C-1734094



METRIC

THIS INFORMATION IS CONFIDENTIAL AND IS DISCLOSED TO YOU ON CONDITION THAT NO FURTHER DISCLOSURE IS MADE BY YOU TO OTHER THAN AMP PERSONNEL WITHOUT WRITTEN AUTHORIZATION FROM AMP (TAIWAN) LTD. DIMENSIONS IN MILLIMETERS. DO NOT SCALE PRINT.



NOTES:

- 1.MATERIAL:
CARRY TAPE:HIPS,CLEAR,T=0.45±0.05mm
- 2.QUANTITY
PRIMARY PACKING: 160PCS/REEL;
SECONDARY PACKING:5REELS/CARTON(800PCS)
- 3.NET WEIGHT:332.8g/REEL, 1.664Kg/CARTON
- 4.GROSS WEIGHT: 878g/REEL, 3.8Kg/CARTON

| | | | | | | | |
|--|--------|------------------|---------|----------------------------|---|--------------------------------|--------|
| TOLERANCES UNLESS OTHERWISE SPECIFIED: | | DWN | S. HOU | tyco Electronics | TYCO HOLDINGS (BERMUDA) VII LTD. TAIWAN BRANCH | | |
| 0 PLC ± | | 20-APR-2005 | | | NAME | MINI DIN 7P, R/A, DIP TYPE. | |
| 1 PLC ± | | CHK | W.J. KE | | | | |
| 2 PLC ± | | 20-APR-2005 | | | | | |
| 3 PLC ± | | | | | | | |
| ANGLES ± | | | | | | | |
| MATERIAL | - | APVD | W.J. KE | | | | |
| | - | 20-APR-2005 | | | | | |
| FINISH | - | PRODUCT SPEC | - | | | | |
| | - | APPLICATION SPEC | - | LOC | SIZE | DRAWING NO | REV |
| - | WEIGHT | - | - | DW | A ₃ | C-1734094 | O |
| | | | | SCALE | -- | SHEET | 2 OF 2 |

| | | | |
|--------------|-----------------|-----|------------|
| SEE SHEET 1. | | | |
| LTR | REVISION RECORD | ECN | DWN CHK |
| | | | DATE |

8 7 6 5 4 3 2 1 CUSTOMER DRAWING